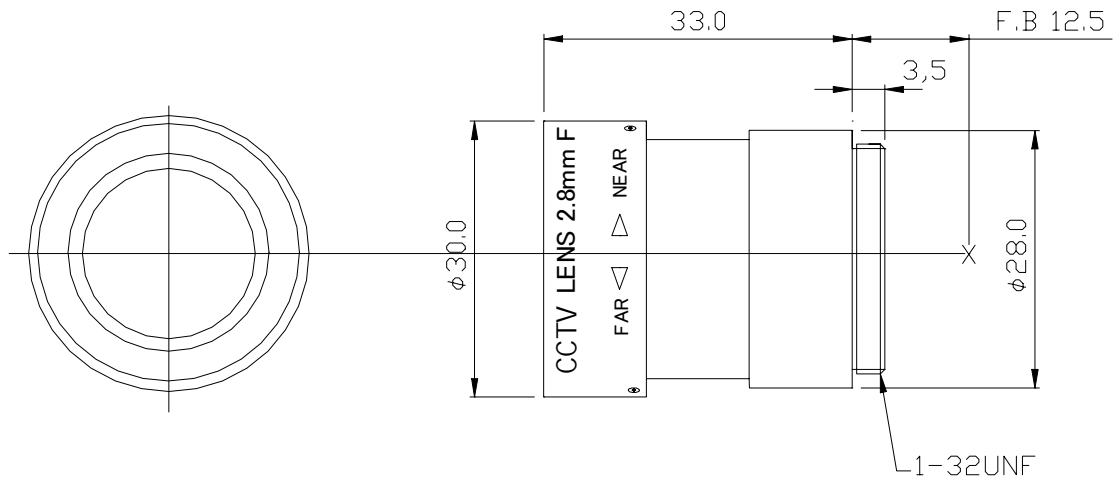


RTF2814CS2



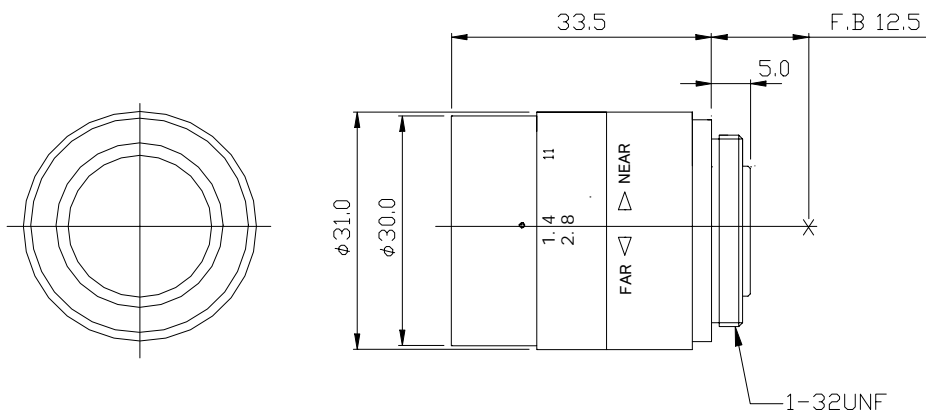
UNIT:mm

[SPECIFICATION]

FORMAT	1/3"
MOUNT	CS MOUNT
FOCAL LENGTH	2.8 mm
IRIS RANGE	F1.4
ANGLE FIELD OF VIEW	(1/2") * * *
	(1/3") 115.3 (D) x 93.6 (H) x 70.8 (V)°
M.O.D.	0.1 M
FLANGE BACK LENGTH	12.5 mm
BACK FOCAL LENGTH	8.76 mm
DIMENTSIONS	Φ 31.0 x 33.5 (L) mm
WEIGHT	Approx. 50 g
OPERATION	< IRIS > FIXED
	< FOCUS > MANUAL
OPERATING TEMPERATURE	-10 - +50°C

Specification are subject to change without notice.

RTF2814CS



UNIT:mm

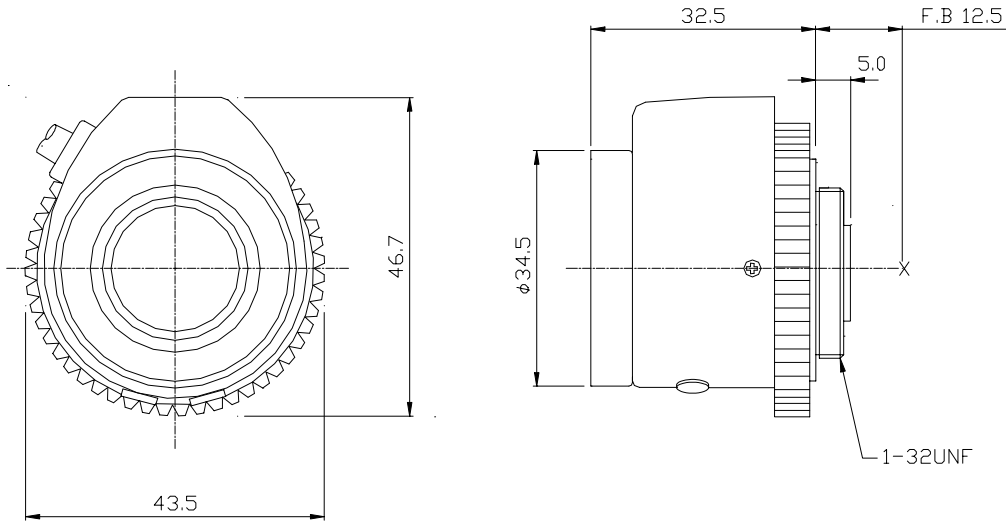
[SPECIFICATION]

FORMAT	1/3"
MOUNT	CS MOUNT
FOCAL LENGTH	2.8 mm
IRIS RANGE	F1.4 - CLOSE
ANGLE FIELD OF VIEW	(1/2") * * *
	(1/3") 115.3 (D) x 93.6 (H) x 70.8 (V)°
M.O.D.	0.1 M
FLANGE BACK LENGTH	12.5 mm
BACK FOCAL LENGTH	8.76 mm
DIMENTSIONS	Φ31.0 x 33.5 (L) mm
WEIGHT	Approx. 50 g
OPERATION	< IRIS > MANUAL
	< FOCUS > MANUAL
OPERATING TEMPERATURE	-10 - +50°C

Specification are subject to change without notice.

RAYMAX CCTV LENS

RTF2814GCS



UNIT:mm

[SPECIFICATION]

FORMAT	1/3"	
MOUNT	CS MOUNT	
FOCAL LENGTH	2.8 mm	
IRIS RANGE	F1.4 - 360	
ANGLE FIELD OF VIEW	(1/2")	* * *
	(1/3")	115.3 (D) x 93.6 (H) x 70.8 (V)°
M.O.D.	0.1 M	
FLANGE BACK LENGTH	12.5 mm	
BACK FOCAL LENGTH	8.76 mm	
DIMENSIONS	43.0 (W) x 46.7 (H) x 32.5 (L) mm	
WEIGHT	Approx. 75 g	
OPERATION	<IRIS>	AUTO (DC)
		DRIVING COIL : 190Ω ± 10% (20°C)
		CLOSE-OPEN less than 4.0V
		OPEN-CLOSE more than 0.5V
		DAMPING COIL : 700Ω ± 10% (20°C)
		RESPONSE SPEED : 3.0sec. or less
	<FOCUS>	MANUAL
OPERATING TEMPERATURE	-10 - +50°C	

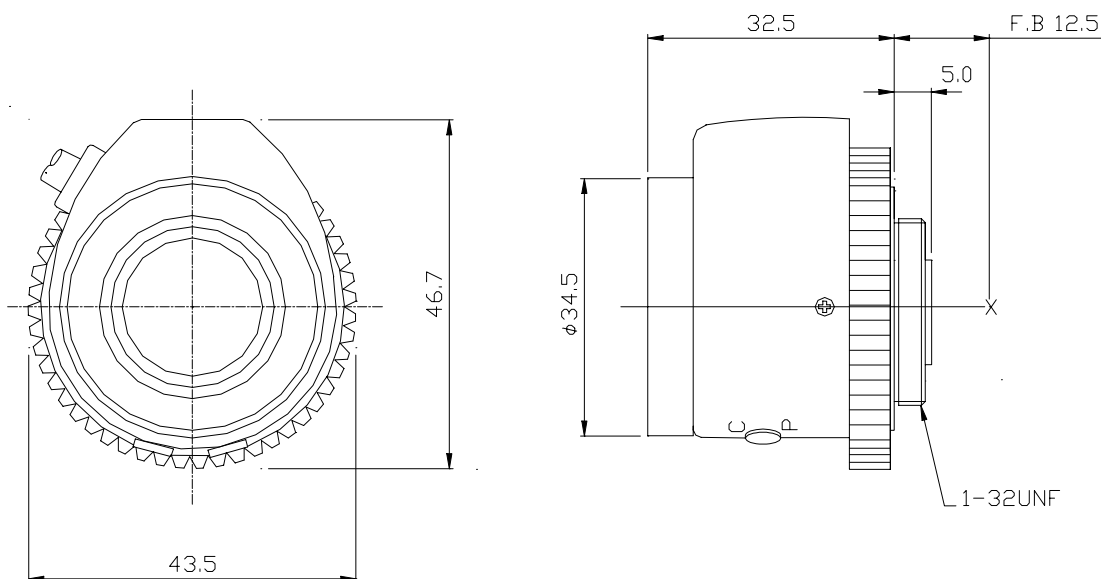
[CABLE CONNECTION]

<4 CORE CABLE FOR AUTO-IRIS > 4PIN STANDARD PLUG ATTACHED

RED	DAMP(-)	
BLACK	DAMP(+)	OPEN
WHITE	DRIVE(+)	OPEN
GREEN	DRIVE(-)	

Specification are subject to change without notice.

RTF2814GACS



UNIT:mm

[SPECIFICATION]

FORMAT	1/3"
MOUNT	CS MOUNT
FOCAL LENGTH	2.8 mm
IRIS RANGE	F1.4 - 360
ANGLE FIELD OF VIEW	(1/2") * * *
	(1/3") 115.3 (D) x 93.6 (H) x 70.8 (V)°
M.O.D.	0.1 M
FLANGE BACK LENGTH	12.5 mm
BACK FOCAL LENGTH	8.76 mm
DIMENSIONS	43.0 (W) x 46.7 (H) x 32.5 (L) mm
WEIGHT	Approx. 75 g
OPERATION	< IRIS > AUTO
	(VIDEO)
	INPUT VOLTAGE : DC8 - 16V, MAX. 30 mA
	INPUT SIGNAL : VIDEO SIGNAL (V or VS)
	INPUT IMPEDANCE : HIGH IMPEDANCE
	SENSITIVITY ADJUSTMENT : 0.5 - 1.0 Vp-p
	RESPONSE SPEED : 3.0sec. or less
	< FOCUS > MANUAL
OPERATING TEMPERATURE	-10 - +50°C

[CABLE CONNECTION]

< 4 CORE CABLE FOR AUTO-IRIS >

WHITE	VIDEO SIGNAL	0.5 - 1.0Vp-p
RED	POWER (+)	DC8 - 16V
BLACK	POWER (-)	GND
GREEN	NC	

Specification are subject to change without notice.