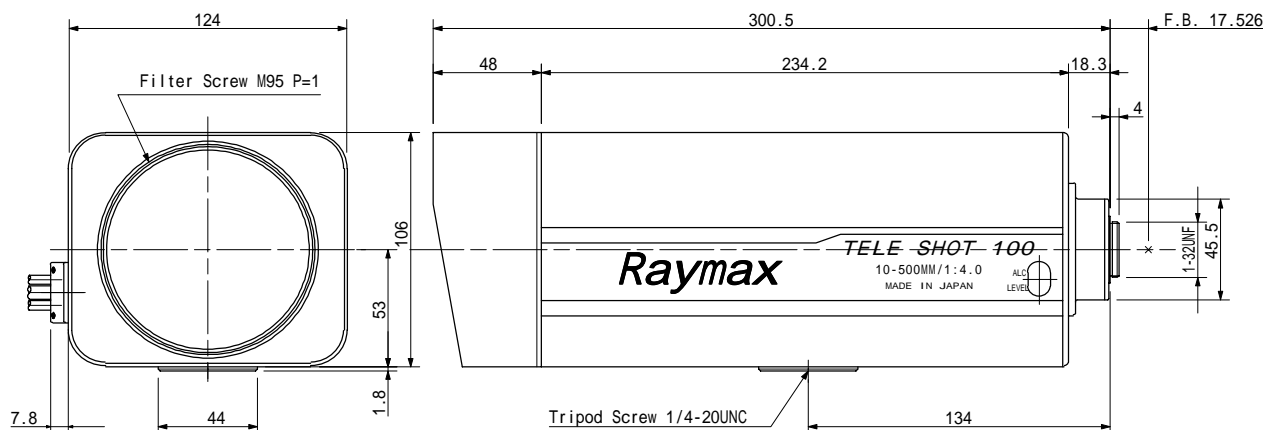


# RAYMAX CCTV LENS

## RHM50Z1040MP



UNIT:mm

### [ SPECIFICATION ]

FORMAT	1/2"	
MOUNT	C MOUNT	
FOCAL LENGTH	10 - 500 mm	
IRIS RANGE	F4.0 - 125 / option:F4.0-360	
ANGLE OF VIEW	(1/2")	43.6 (D) x 35.5 (H) x 27.0 (V)° (WIDE) 0.9 (D) x 0.7 (H) x 0.6 (V)° (TELE)
	(1/3")	33.6 (D) x 27.0 (H) x 20.7 (V)° (WIDE) 0.7 (D) x 0.6 (H) x 0.4 (V)° (TELE)
M.O.D.	4.0 M	
BACK FOCAL LENGTH	62.67 mm	
FLANGE BACK LENGTH	17.526 mm	
FILTER SCREW SIZE	M95 P = 1	
DIMENSIONS	124.0 (W) x 106.0 (H) x 300.5 (L) mm	
WEIGHT	3200g	
OPERATION	< IRIS > MOTORIZED	CONTROL VOLTAGE : DC6-12 V, MAX.40mA(6V) MOTORIZATION SPEED : Approx. 6.0sec.(6V)
	<ZOOM> MOTORIZED	CONTROL VOLTAGE : DC6-12 V, MAX.50mA(6V) MOTORIZATION SPEED : Approx. 6.5sec.(6V)
	<FOCUS> MOTORIZED	CONTROL VOLTAGE : DC6-12 V, MAX.50mA(6V) MOTORIZATION SPEED : Approx. 13.0sec.(6V)
OPERATING TEMPERATURE	-10 - +50°C	

### [ CABLE CONNECTION ]

< 10 CORE CABLE FOR ZOOM, FOCUS AND IRIS >

YELLOW	ZOOM (+)	TELE	BROWN	IRIS (-)	
RED	ZOOM		BLUE	NC	
GREEN	FOCUS (+)	NEAR	GRAY	NC	
BLACK	FOCUS		ORANGE	NC	
WHITE	IRIS (+)		PURPLE	NC	

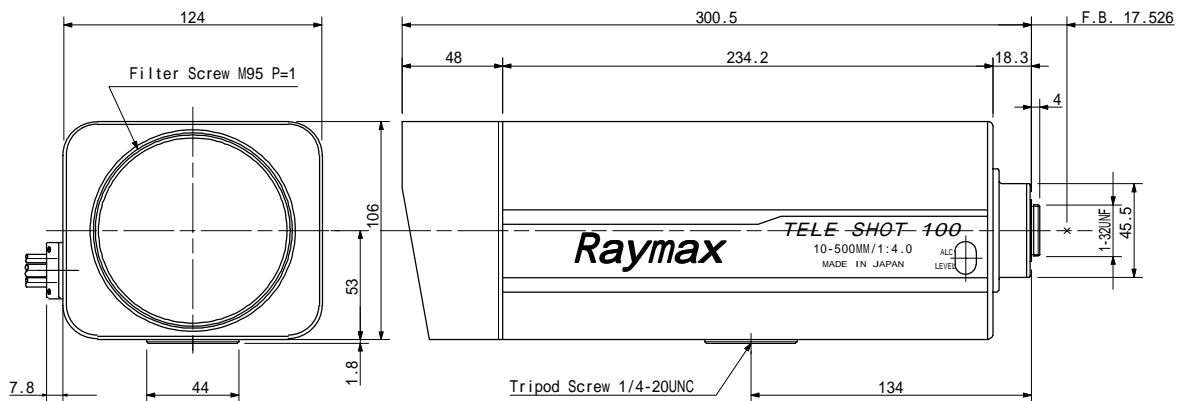
< 4 CORE CABLE FOR ZOOM AND FOCUS PRESETS >

RED	POT SUPPLY	POWER (+)
GREEN	FOCUS OUT	
WHITE	ZOOM OUT	
BLACK	POT RETURN	POWER (-)

Specifications are subject to change without notice.

# RAYMAX CCTV LENS

## RHM50Z1040MP-EX



UNIT:mm

### [ SPECIFICATION ]

FORMAT	1/2"		
MOUNT	C MOUNT		
FOCAL LENGTH	10 - 500 mm /20-1000mm (with 2ex.)		
IRIS RANGE	F4.0 - 125(360) /F8.0-250(720) (with 2ex.)		
ANGLE OF VIEW	(1/2")		43.6 (D) x 35.5 (H) x 27.0 (V)° (WIDE)
		2ex.	22.6 (D) x 18.2 (H) x 13.7 (V)° (WIDE)
			0.9 (D) x 0.7 (H) x 0.6 (V)° (TELE)
		2ex.	0.5 (D) x 0.4 (H) x 0.3 (V)° (TELE)
	(1/3")		33.6 (D) x 27.0 (H) x 20.7 (V)° (WIDE)
		2ex.	17.1 (D) x 13.7 (H) x 10.3 (V)° (WIDE)
			0.7 (D) x 0.6 (H) x 0.4 (V)° (TELE)
		2ex.	0.4 (D) x 0.3 (H) x 0.2 (V)° (TELE)
M.O.D.	4.0 M		
BACK FOCAL LENGTH	62.67 mm		
FLANGE BACK LENGTH	17.526 mm		
FILTER SCREW SIZE	M95 P = 1		
DIMENSIONS	124.0 (W) x 106.0 (H) x 300.5 (L) mm		
WEIGHT	3200g		
OPERATION	< IRIS >	MOTORIZED	CONTROL VOLTAGE : DC6-12 V, MAX.40mA(6V) MOTORIZATION SPEED : APPROX. 6.0sec.(6V)
	<ZOOM>	MOTORIZED	CONTROL VOLTAGE : DC6-12 V, MAX.50mA(6V) MOTORIZATION SPEED : APPROX. 6.5sec.(6V)
	<FOCUS>	MOTORIZED	CONTROL VOLTAGE : DC6-12 V, MAX.50mA(6V) MOTORIZATION SPEED : APPROX. 13.0sec.(6V)
	<EXTENDER>	MOTORIZED	CONTROL VOLTAGE : DC6-12 V, MAX.50mA(6V) MOTORIZATION SPEED : APPROX. 3.0sec.(6V)
OPERATING TEMPERATURE	-10 - +50°C		

### [ CABLE CONNECTION ]

< 10 CORE CABLE FOR ZOOM, FOCUS, IRIS AND EXTENDER >

YELLOW	ZOOM (+)	TELE	BROWN	IRIS (-)	
RED	ZOOM		BLUE	EXTENDER (+)	2X
GREEN	FOCUS (+)	NEAR	GRAY	EXTENDER	
BLACK	FOCUS		ORANGE	NC	
WHITE	IRIS (+)		PURPLE	NC	

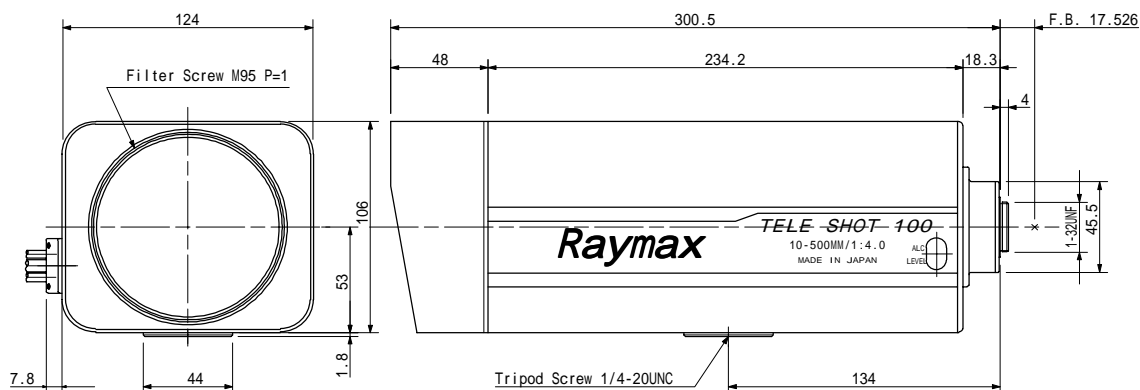
< 4 CORE CABLE FOR ZOOM AND FOCUS PRESETS >

RED	POT SUPPLY	POWER (+)
GREEN	FOCUS OUT	
WHITE	ZOOM OUT	
BLACK	POT RETURN	POWER (-)

Specifications are subject to change without notice.

# RAYMAX CCTV LENS

## RHM50Z1040AIP



UNIT:mm

### [ SPECIFICATION ]

FORMAT	1/2"		
MOUNT	C MOUNT		
FOCAL LENGTH	10 - 500 mm		
IRIS RANGE	F4.0 - 125(360)		
ANGLE OF VIEW	(1/2")	43.6 (D) x 35.5 (H) x 27.0 (V)° (WIDE) 0.9 (D) x 0.7 (H) x 0.6 (V)° (TELE)	
	(1/3")	33.6 (D) x 27.0 (H) x 20.7 (V)° (WIDE) 0.7 (D) x 0.6 (H) x 0.4 (V)° (TELE)	
M.O.D.	4.0 M		
BACK FOCAL LENGTH	62.67 mm		
FLANGE BACK LENGTH	17.526 mm		
FILTER SCREW SIZE	M95 P = 1		
DIMENSIONS	124.0 (W) x 106.0 (H) x 300.5 (L) mm		
WEIGHT	3200g		
OPERATION	< IRIS >	AUTO (VIDEO)	INPUT VOLTAGE : DC8 - 16V, MAX. 50 mA INPUT SIGNAL : VIDEO SIGNAL ( V or VS ) INPUT IMPEDANCE : HIGH IMPEDANCE SENSITIVITY ADJUSTMENT : 0.5 - 1.0 Vp-p RESPOND SPEED : 3.0sec. or less
	<ZOOM>	MOTORIZED	CONTROL VOLTAGE : DC6-12 V, MAX.50mA(6V) MOTORIZATION SPEED : Approx. 6.5sec.(6V)
	<FOCUS>	MOTORIZED	CONTROL VOLTAGE : DC6-12 V, MAX.50mA(6V) MOTORIZATION SPEED : Approx. 13.0sec.(6V)
OPERATING TEMPERATURE	-10 - +50°C		

### [ CABLE CONNECTION ]

< 4 CORE CABLE FOR AUTO-IRIS >

<4 CORE CABLE FOR ZOOM AND FOCUS PRESETS>

WHITE	VIDEO SIGNAL	0.5 - 1.0Vp-p	RED	POT SUPPLY	POWER (+)
RED	POWER (+)	DC8 - 16V	GREEN	FOCUS OUT	
BLACK	POWER (-)	GND	WHITE	ZOOM OUT	
GREEN	NC		BLACK	POT RETURN	POWER (-)

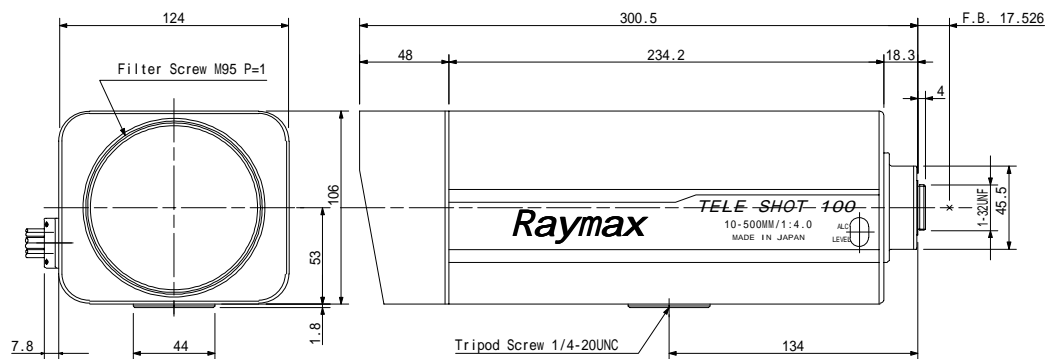
< 10 CORE CABLE FOR ZOOM AND FOCUS >

YELLOW	ZOOM (+)	TELE	BROWN	NC
RED	ZOOM		BLUE	NC
GREEN	FOCUS (+)	NEAR	GRAY	NC
BLACK	FOCUS		ORANGE	NC
WHITE	NC		PURPLE	NC

Specifications are subject to change without notice.

# RAYMAX CCTV LENS

## RHM50Z1040AIP-EX



UNIT:mm

### [ SPECIFICATION ]

FORMAT	1/2"	
MOUNT	C MOUNT	
FOCAL LENGTH IRIS RANGE	10 - 500 mm /20-1000mm (with 2ex.) F4.0 - 125(250) /F8.0-250(500) (with 2ex.) OPTION: F4.0-360/F8.0-720	
ANGLE OF VIEW	(1/2")	43.6 (D) x 35.5 (H) x 27.0 (V) (WIDE) 2ex. 22.6 (D) x 18.2 (H) x 13.7 (V) (WIDE) 0.9 (D) x 0.7 (H) x 0.6 (V) (TELE) 2ex. 0.5 (D) x 0.4 (H) x 0.3 (V) (TELE)
	(1/3")	33.6 (D) x 27.0 (H) x 20.7 (V) (WIDE) 2ex. 17.1 (D) x 13.7 (H) x 10.3 (V) (WIDE) 0.7 (D) x 0.6 (H) x 0.4 (V) (TELE) 2ex. 0.4 (D) x 0.3 (H) x 0.2 (V) (TELE)
M.O.D.	4.0 M	
BACK FOCAL LENGTH	62.67 mm	
FLANGE BACK LENGTH	17.526 mm	
FILTER SCREW SIZE	M95 P = 1	
DIMENSIONS	124.0 (W) x 106.0 (H) x 300.5 (L) mm	
WEIGHT	3200g	
OPERATION	< IRIS > AUTO (VIDEO)	INPUT VOLTAGE : DC8 - 16V, MAX. 50 mA INPUT SIGNAL : VIDEO SIGNAL ( V or VS ) INPUT IMPEDANCE : HIGH IMPEDANCE SENSITIVITY ADJUSTMENT : 0.5 - 1.0 V <sub>p-p</sub> RESPOND SPEED : 3.0sec. or less
	<ZOOM> MOTORIZED	CONTROL VOLTAGE : DC6-12 V, MAX.50mA(6V) MOTORIZATION SPEED : APPROX. 6.5sec.(6V)
	<FOCUS> MOTORIZED	CONTROL VOLTAGE : DC6-12 V, MAX.50mA(6V) MOTORIZATION SPEED : APPROX. 13.0sec.(6V)
	<EXTENDER MOTORIZED	CONTROL VOLTAGE : DC6-12 V, MAX.50mA(6V) MOTORIZATION SPEED : APPROX. 3.0sec.(6V)
OPERATING TEMPERATURE	-10 - +50°C	

### [ CABLE CONNECTION ]

< 4 CORE CABLE FOR AUTO-IRIS >

< 4 CORE CABLE FOR ZOOM AND FOCUS PRESETS >

WHITE	VIDEO SIGNAL	0.5 - 1.0V <sub>p-p</sub>	RED	POT SUPPLY	POWER (+)
RED	POWER (+)	DC8 - 16V	GREEN	FOCUS OUT	
BLACK	POWER (-)	GND	WHITE	ZOOM OUT	
GREEN	NC		BLACK	POT RETURN	POWER (-)

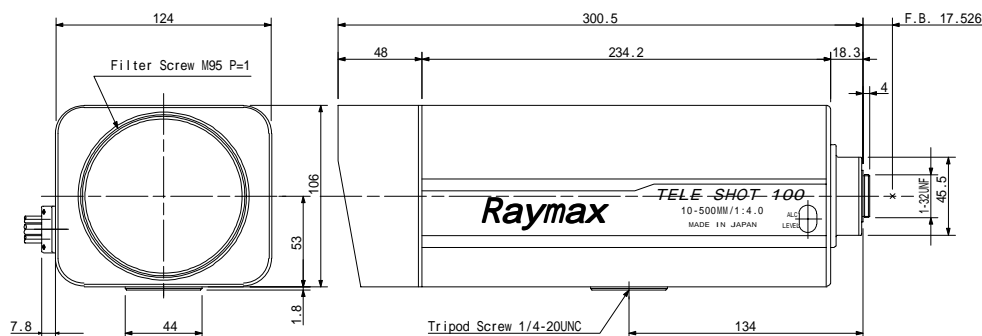
< 10 CORE CABLE FOR ZOOM, FOCUS AND EXTENDER >

YELLOW	ZOOM (+)	TELE	BROWN	NC	
RED	ZOOM		BLUE	EXTENDER (+)	2X
GREEN	FOCUS (+)	NEAR	GRAY	EXTENDER	
BLACK	FOCUS		ORANGE	NC	
WHITE	NC		PURPLE	NC	

Specifications are subject to change without notice.

RAYMAX CCTV LENS

# RHM50Z1040AMP-EX



UNIT:mm

[ SPECIFICATION ]

FORMAT	1/2"	
MOUNT	C MOUNT	
FOCAL LENGTH	10 - 500 mm /20-1000mm (with 2ex.)	
IRIS RANGE	F4.0 - 125(360) /F8.0-250(720) (with 2ex.)	
ANGLE OF VIEW	(1/2")	43.6 (D) x 35.5 (H) x 27.0 (V) (WIDE)
	2ex.	22.6 (D) x 18.2 (H) x 13.7 (V) (WIDE)
	2ex.	0.9 (D) x 0.7 (H) x 0.6 (V) (TELE)
	2ex.	0.5 (D) x 0.4 (H) x 0.3 (V) (TELE)
	(1/3")	33.6 (D) x 27.0 (H) x 20.7 (V) (WIDE)
	2ex.	17.1 (D) x 13.7 (H) x 10.3 (V) (WIDE)
	2ex.	0.7 (D) x 0.6 (H) x 0.4 (V) (TELE)
	2ex.	0.4 (D) x 0.3 (H) x 0.2 (V) (TELE)
M.O.D.	4.0 M	
BACK FOCAL LENGTH	62.67 mm	
FLANGE BACK LENGTH	17.526 mm	
FILTER SCREW SIZE	M95 P = 1	
DIMENSIONS	124.0 (W) x 106.0 (H) x 300.5 (L) mm	
WEIGHT	3200g	
OPERATION	< IRIS > AUTO (VIDEO)	INPUT VOLTAGE : DC8 - 16V, MAX. 50 mA
	AUTO/MANUAL SELECTABLE	INPUT SIGNAL : VIDEO SIGNAL ( V or VS )
	BY RA010A(controller)	INPUT IMPEDANCE : HIGH IMPEDANCE
	MOTORIZED	SENSITIVITY ADJUSTMENT : 0.5 - 1.0 Vp-p
		RESPOND SPEED : 3.0sec. or less
	<ZOOM> MOTORIZED	CONTROL VOLTAGE : DC6-12 V, MAX.40mA(6V)
		MOTORIZATION SPEED : APPROX. 6.0sec.(6V)
	<FOCUS> MOTORIZED	CONTROL VOLTAGE : DC6-12 V, MAX.50mA(6V)
		MOTORIZATION SPEED : APPROX. 6.5sec.(6V)
	<EXTENDER MOTORIZED	CONTROL VOLTAGE : DC6-12 V, MAX.50mA(6V)
		MOTORIZATION SPEED : APPROX. 13.0sec.(6V)
OPERATING TEMPERATURE	-10 - +50°C	

[ CABLE CONNECTION ]

< 4 CORE CABLE FOR AUTO-IRIS >			<4 CORE CABLE FOR ZOOM AND FOCUS PRESETS>		
WHITE	VIDEO SIGNAL	0.5 - 1.0Vp-p	RED	POT SUPPLY	POWER (+)
RED	POWER (+)	DC8 - 16V	GREEN	FOCUS OUT	
BLACK	POWER (-)	GND	WHITE	ZOOM OUT	
GREEN	NC		BLACK	POT RETURN	POWER (-)

<10 CORE CABLE FOR ZOOM, FOCUS, EXTENDER AND IRIS CHANGE >

YELLOW	ZOOM (+)	TELE	BROWN	IRIS	
RED	ZOOM		BLUE	EXTENDER (+)	2X
GREEN	FOCUS (+)	NEAR	GRAY	EXTENDER	
BLACK	FOCUS		ORANGE	IRIS CHANGE(+)	
WHITE	IRIS(+)		PURPLE	IRIS CHANGE	

Specifications are subject to change without notice.