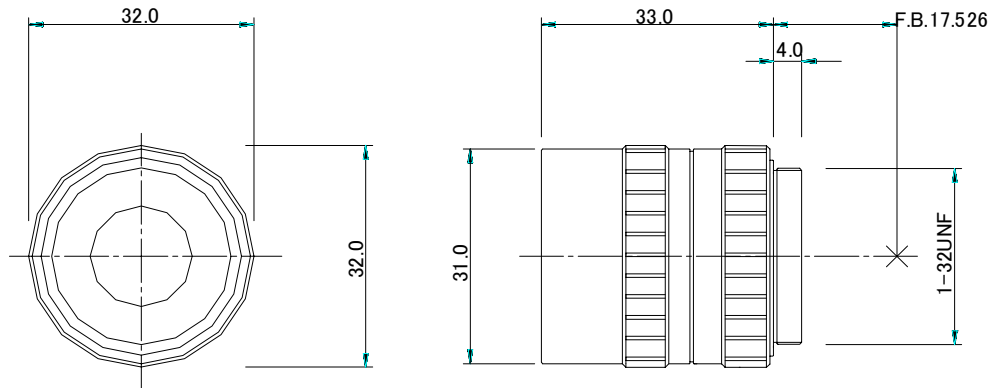


# RHF2518



UNIT:mm

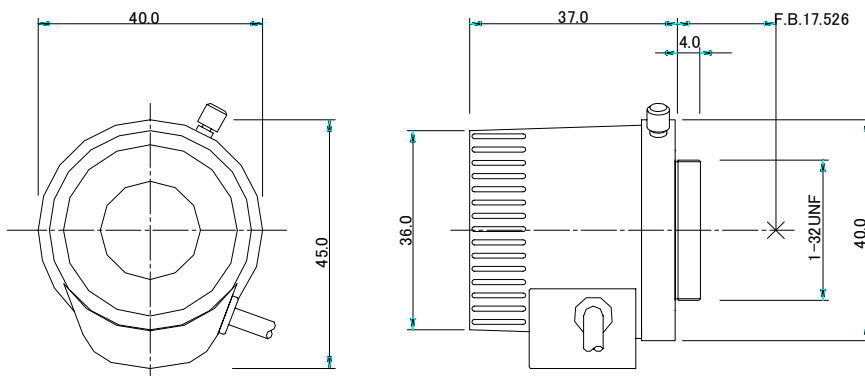
[ SPECIFICATION ]

|                       |   |
|-----------------------|---|
| FORMAT                | 1/2"  |
| MOUNT                 | C MOUNT   |
| FOCAL LENGTH          | 25 mm   |
| IRIS RANGE            | F1.8 - CLOSE  |
| ANGLE FIELD OF VIEW   | (1/2") 18.2 (D) x 14.4 (H) x 11.0 (V)°<br>(1/3") 13.5 (D) x 11.0 (H) x 8.2 (V)° |
| M.O.D.                | 1 M   |
| FLANGE BACK LENGTH    | 17.526 mm   |
| BACK FOCAL LENGTH     | 14.94 mm  |
| DIMENSIONS            | Φ32.0 x 33.0 (L) mm   |
| WEIGHT                | Approx. 65 g  |
| OPERATION             | < IRIS > MANUAL<br>< FOCUS > MANUAL   |
| OPERATING TEMPERATURE | -10 - +50°C   |

Specification are subject to change without notice.

RAYMAX CCTV LENS

# RHF1614G



UNIT:mm

[ SPECIFICATION ]

|                       |                                   |                                   |
|-----------------------|-----------------------------------|-----------------------------------|
| FORMAT                | 1/2"                              |                                   |
| MOUNT                 | C MOUNT                           |                                   |
| FOCAL LENGTH          | 25 mm                             |                                   |
| IRIS RANGE            | F1.8 - CLOSE                      |                                   |
| ANGLE FIELD OF VIEW   | (1/2")                            | 18.2 (D) x 14.4 (H) x 11.0 (V)°   |
|                       | (1/3")                            | 13.5 (D) x 11.0 (H) x 8.2 (V)°    |
| M.O.D.                | 1 M                               |                                   |
| FLANGE BACK LENGTH    | 17.526 mm                         |                                   |
| BACK FOCAL LENGTH     | 14.94 mm                          |                                   |
| DIMENSIONS            | 40.0 (W) x 44.6 (H) x 37.0 (L) mm |                                   |
| WEIGHT                | Approx. 65 g                      |                                   |
| OPERATION             | <IRIS>                            | AUTO (DC)                         |
|                       |                                   | DRIVING COIL : 190 Ω ± 10% (20°C) |
|                       |                                   | CLOSE-OPEN less than 4.0V         |
|                       |                                   | OPEN-CLOSE more than 0.5V         |
|                       |                                   | DAMPING COIL : 700 Ω ± 10% (20°C) |
|                       |                                   | RESPONSE SPEED : 3.0sec. or less  |
|                       | <FOCUS>                           | MANUAL WITH LOCK SCREW            |
| OPERATING TEMPERATURE | -10 - +50°C                       |                                   |

[ CABLE CONNECTION ]

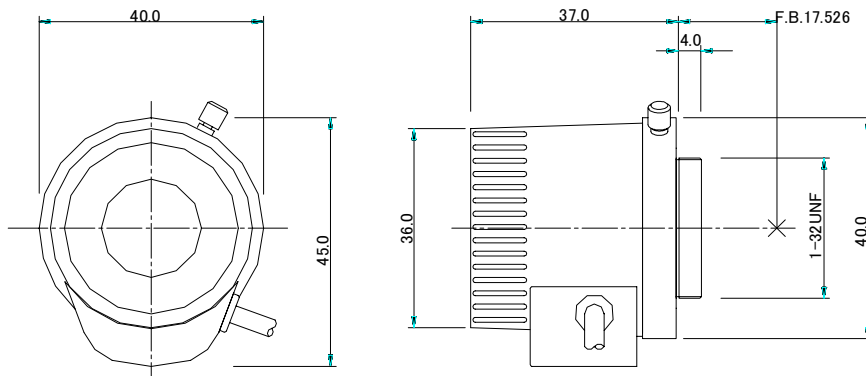
<4 CORE CABLE FOR AUTO-IRIS > 4PIN STANDARD PLUG ATTACHED

|       |          |
|-------|----------|
| RED   | DAMP(+)  |
| BLACK | DAMP(-)  |
| WHITE | DRIVE(+) |
| GREEN | DRIVE(-) |

Specification are subject to change without notice.

RAYMAX CCTV LENS

# RHF2518GA



UNIT:mm

**[ SPECIFICATION ]**

|                       |   |
|-----------------------|---|
| FORMAT                | 1/2"                                    |
| MOUNT                 | C MOUNT                                 |
| FOCAL LENGTH          | 25 mm                                   |
| IRIS RANGE            | F1.8 - CLOSE                            |
| ANGLE FIELD OF VIEW   | (1/2") 18.2 (D) x 14.4 (H) x 11.0 (V)°  |
|                       | (1/3") 13.5 (D) x 11.0 (H) x 8.2 (V)°   |
| M.O.D.                | 1 M                                     |
| FLANGE BACK LENGTH    | 17.526 mm                               |
| BACK FOCAL LENGTH     | 14.94 mm                                |
| DIMENSIONS            | 40.0 (W) x 44.6 (H) x 37.0 (L) mm       |
| WEIGHT                | Approx. 66 g                            |
| OPERATION             | < IRIS > AUTO (VIDEO)                   |
|                       | INPUT VOLTAGE : DC8 - 16V, MAX. 30 mA   |
|                       | INPUT SIGNAL : VIDEO SIGNAL ( V or VS ) |
|                       | INPUT IMPEDANCE : HIGH IMPEDANCE        |
|                       | SENSITIVITY ADJUSTMENT : 0.5 - 1.0 Vp-p |
|                       | RESPONSE SPEED : 3.0sec. or less        |
|                       | < FOCUS > MANUAL WITH LOCK SCREW        |
| OPERATING TEMPERATURE | -10 - +50°C                             |

**[ CABLE CONNECTION ]**

< 3 CORE CABLE FOR AUTO-IRIS >

|       |              |               |
|-------|--------------|---------------|
| WHITE | VIDEO SIGNAL | 0.5 - 1.0Vp-p |
| RED   | POWER (+)    | DC8 - 16V     |
| BLACK | POWER        | GND           |

Specification are subject to change without notice.