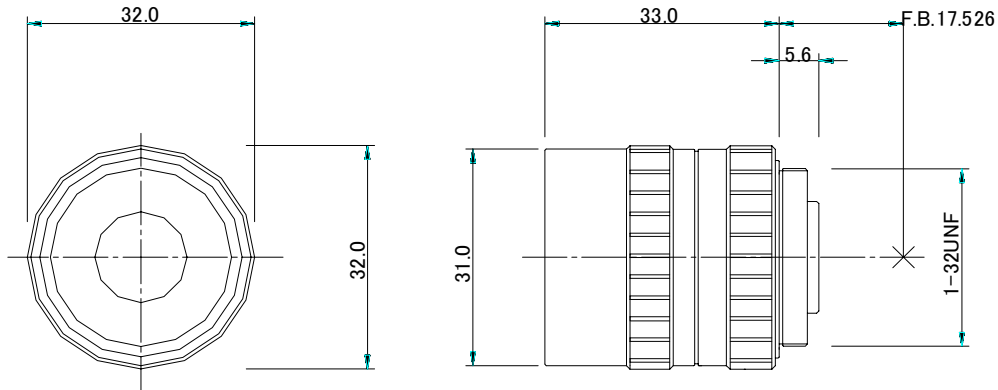


RHF1614



UNIT:mm

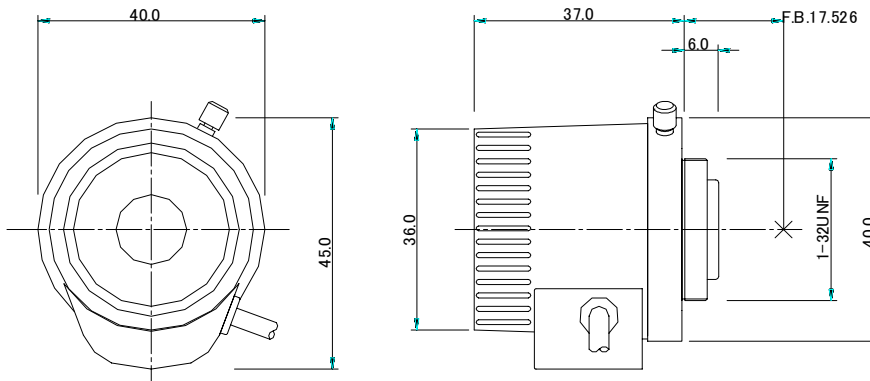
[SPECIFICATION]

FORMAT	1/2"
MOUNT	C MOUNT
FOCAL LENGTH	16 mm
IRIS RANGE	F1.4 - CLOSE
ANGLE FIELD OF VIEW	(1/2") 28.5 (D) x 23.0 (H) x 17.2 (V)° (1/3") 21.3 (D) x 17.2 (H) x 12.6 (V)°
M.O.D.	0.5 M
FLANGE BACK LENGTH	17.526 mm
BACK FOCAL LENGTH	12.24 mm
DIMENTSIONS	Φ32.0 x 33.0 (L) mm
WEIGHT	Approx. 70 g
OPERATION	< IRIS > MANUAL < FOCUS > MANUAL
OPERATING TEMPERATURE	-10 - +50°C

Specification are subject to change without notice.

RAYMAX CCTV LENS

RHF1614G



UNIT:mm

[SPECIFICATION]

FORMAT	1/2"	
MOUNT	C MOUNT	
FOCAL LENGTH	16 mm	
IRIS RANGE	F1.4 - 360	
ANGLE FIELD OF VIEW	(1/2")	28.5 (D) x 23.0 (H) x 17.2 (V)°
	(1/3")	21.3 (D) x 17.2 (H) x 12.6 (V)°
M.O.D.	0.5 M	
FLANGE BACK LENGTH	17.526 mm	
BACK FOCAL LENGTH	12.24 mm	
DIMENSIONS	40.0 (W) x 44.6 (H) x 37.0 (L) mm	
WEIGHT	Approx. 70 g	
OPERATION	<IRIS>	AUTO
		(DC)
		DRIVING COIL : 190 Ω ± 10% (20°C)
		CLOSE-OPEN less than 4.0V
		OPEN-CLOSE more than 0.5V
		DAMPING COIL : 700 Ω ± 10% (20°C)
		RESPONSE SPEED : 3.0sec. or less
	<FOCUS>	MANUAL
		WITH LOCK SCREW
OPERATING TEMPERATURE	-10 - +50°C	

[CABLE CONNECTION]

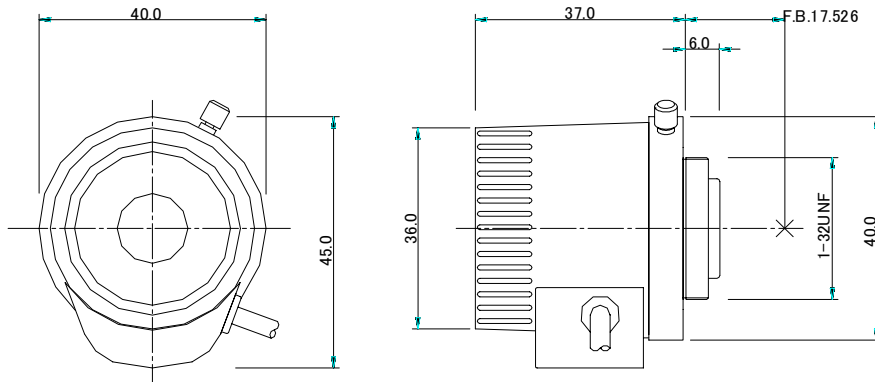
<4 CORE CABLE FOR AUTO-IRIS > 4PIN STANDARD PLUG ATTACHED

RED	DAMP(+)
BLACK	DAMP(-)
WHITE	DRIVE(+)
GREEN	DRIVE(-)

Specification are subject to change without notice.

RAYMAX CCTV LENS

RHF1614GA



UNIT:mm

[SPECIFICATION]

FORMAT	1/2"	
MOUNT	C MOUNT	
FOCAL LENGTH	16 mm	
IRIS RANGE	F1.4 - 360	
ANGLE FIELD OF VIEW	(1/2")	28.5 (D) x 23.0 (H) x 17.2 (V)°
	(1/3")	21.3 (D) x 17.2 (H) x 12.6 (V)°
M.O.D.	0.5 M	
FLANGE BACK LENGTH	17.526 mm	
BACK FOCAL LENGTH	12.24 mm	
DIMENSIONS	40.0 (W) x 44.6 (H) x 37.0 (L) mm	
WEIGHT	Approx. 70 g	
OPERATION	< IRIS >	AUTO
		(VIDEO)
		INPUT VOLTAGE : DC8 - 16V, MAX. 30 mA
		INPUT SIGNAL : VIDEO SIGNAL (V or VS)
		INPUT IMPEDANCE : HIGH IMPEDANCE
		SENSITIVITY ADJUSTMENT : 0.5 - 1.0 V _{p-p}
		RESPONSE SPEED : 3.0sec. or less
	< FOCUS >	MANUAL
		WITH LOCK SCREW
OPERATING TEMPERATURE	-10 - +50°C	

[CABLE CONNECTION]

< 3 CORE CABLE FOR AUTO-IRIS >

WHITE	VIDEO SIGNAL	0.5 - 1.0V _{p-p}
RED	POWER (+)	DC8 - 16V
BLACK	POWER	GND

Specification are subject to change without notice.