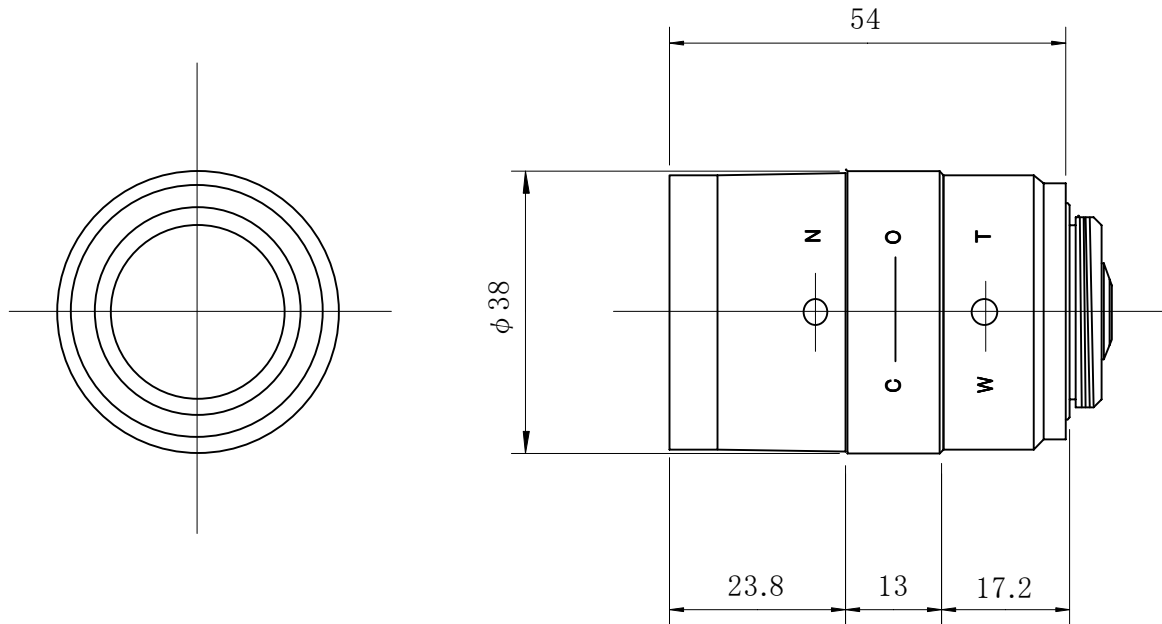


LTV4Z2814CS



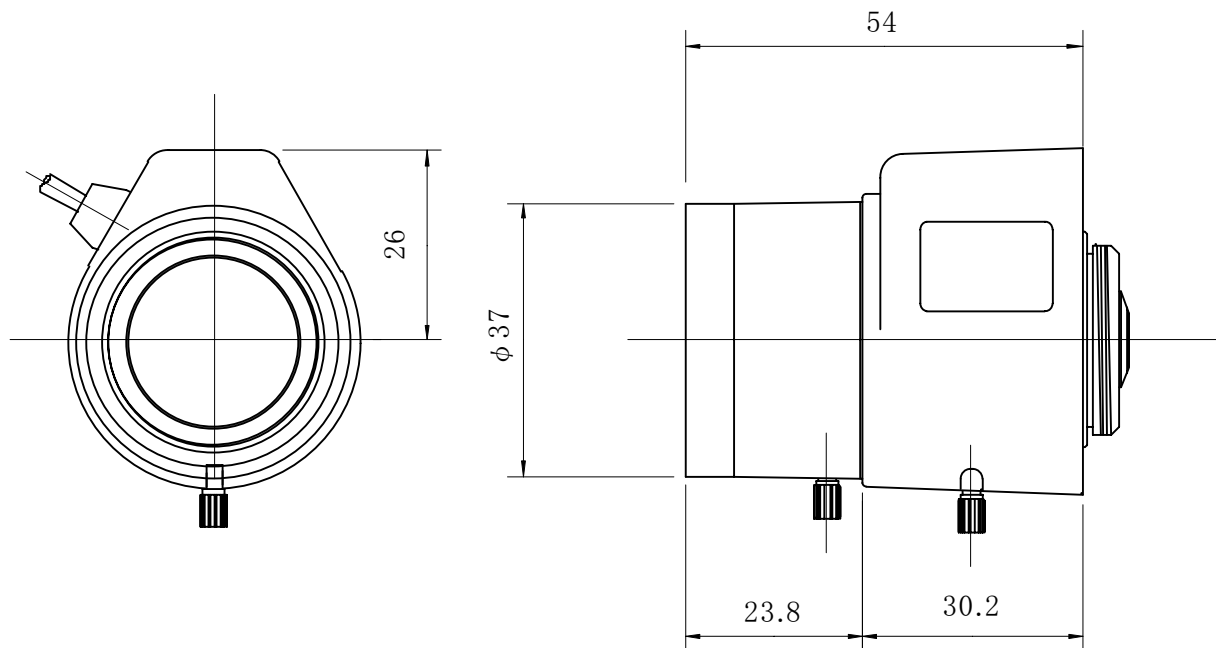
UNIT:mm

[SPECIFICATION]

FORMAT	1/3"			
MOUNT	CS MOUNT			
FOCAL LENGTH	2.8 - 12mm			
IRIS RANGE	F1.4 - CLOSE			
ANGLE FIELD OF VIEW	(1/2")	*	*	*
		*	*	*
	(1/3")	115.2 (D) x 92.2 (H) x 69.1 (V)° (WIDE)		
		28.5 (D) x 22.8 (H) x 17.2 (V)° (TELE)		
M.O.D.	0.3 M			
FLANGE BACK LENGTH	12.5 mm			
BACK FOCAL LENGTH	6.72 mm			
DIMENSIONS	Φ 38.0 x 54.0 mm			
WEIGHT	Approx. 58g			
OPERATION	<IRIS>	MANUAL	WITH LOCK SCREW	
	<FOCUS>	MANUAL	WITH LOCK SCREW	
	<ZOOM>	MANUAL	WITH LOCK SCREW	
OPERATING TEMPERATURE	-10 - +50°C			

Specification are subject to change without notice.

LTV4Z2814GCS



UNIT:mm

[SPECIFICATION]

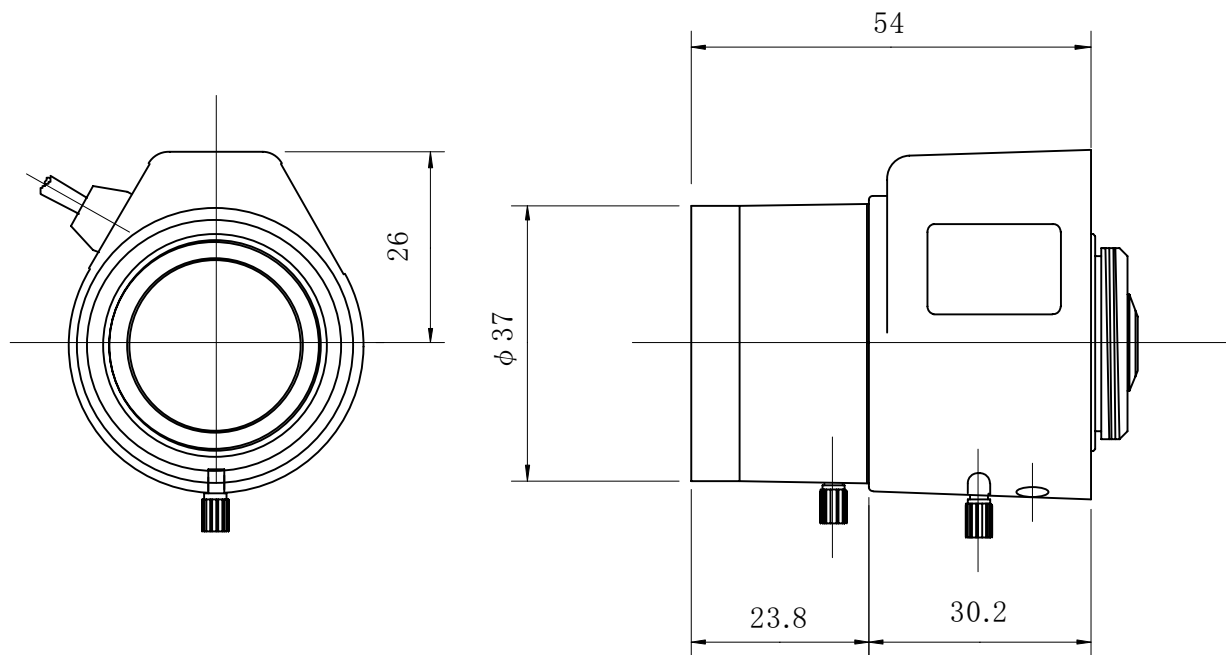
FORMAT	1/3"		
MOUNT	CS MOUNT		
FOCAL LENGTH	2.8 - 12mm		
IRIS RANGE	F1.4 - 360		
ANGLE FIELD OF VIEW	(1/2")	*	*
		*	*
	(1/3")	115.2 (D) x 92.2 (H) x 69.1 (V) ^o (WIDE)	
		28.5 (D) x 22.8 (H) x 17.2 (V) ^o (TELE)	
M.O.D.	0.3 M		
FLANGE BACK LENGTH	12.5 mm		
BACK FOCAL LENGTH	6.72 mm		
DIMENSIONS	42.0 (W) x 47.0 (H) x 54.0 (L) mm		
WEIGHT	Approx. 61 g		
OPERATION	<IRIS>	AUTO (DC)	DRIVING COIL : 190Ω ± 10% (20°C)
			CLOSE-OPEN less than 4.0V
			OPEN-CLOSE more than 0.5V
			DAMPING COIL : 700Ω ± 10% (20°C)
			RESPONSE SPEED : 3.0sec. or less
	<FOCUS>	MANUAL	WITH LOCK SCREW
	<ZOOM>	MANUAL	WITH LOCK SCREW
OPERATING TEMPERATURE	-10 - +50°C		

[CABLE CONNECTION]

<4 CORE CABLE FOR AUTO-IRIS > 4PIN STANDARD PLUG ATTACHED

RED	DAMP(-)	
BLACK	DAMP(+)	OPEN
WHITE	DRIVE(+)	OPEN
GREEN	DRIVE(-)	

LTV4Z2814GACS



UNIT:mm

[SPECIFICATION]

FORMAT	1/3"		
MOUNT	CS MOUNT		
FOCAL LENGTH	2.8 - 12mm		
IRIS RANGE	F1.4 - 360		
ANGLE FIELD OF VIEW	(1/2")	*	*
		*	*
	(1/3")	115.2 (D) x 92.2 (H) x 69.1 (V)° (WIDE)	
		28.5 (D) x 22.8 (H) x 17.2 (V)° (TELE)	
M.O.D.	0.3 M		
FLANGE BACK LENGTH	12.5 mm		
BACK FOCAL LENGTH	6.72 mm		
DIMENSIONS	42.0 (W) x 47.0 (H) x 54.0 (L) mm		
WEIGHT	Approx. 63 g		
OPERATION	<IRIS>	AUTO	INPUT VOLTAGE : DC8 - 16V, MAX. 30 mA
		(VIDEO)	INPUT SIGNAL : VIDEO SIGNAL (V or VS)
			INPUT IMPEDANCE : HIGH IMPEDANCE
			SENSITIVITY ADJUSTMENT : 0.5 - 1.0 Vp-p
			RESPONSE SPEED : 3.0sec. or less
	<FOCUS>	MANUAL	WITH LOCK SCREW
	<ZOOM>	MANUAL	WITH LOCK SCREW
OPERATING TEMPERATURE	-10 - +50°C		

[CABLE CONNECTION]

< 3 CORE CABLE FOR AUTO-IRIS >

WHITE	VIDEO SIGNAL	0.5 - 1.0Vp-p
RED	POWER (+)	DC8 - 16V
BLACK	POWER (-)	GND